

# **MOST ADVANCE**

TECHNOLOGY  
OF PACKAGING MACHINE

# ABP BESTPACK SYSTEMS



MONACO



RUSK



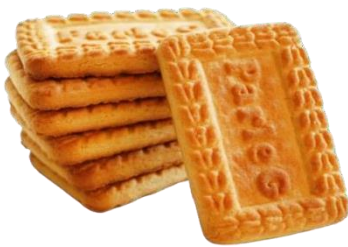
SOAP



MARRIE



WAFER BISCUIT



PARLE-G



DANGLER WRAP



CREAM BISCUIT



NOODELS



KRACKJACK

# ABOUT OUR COMPANY



Mr. Bhavesh Mistry  
(Managing Director)



Mr. Aakash Dhokia  
(Marketing Director)

Company started in 2019 to manufacturing biscuit packaging machine by two partners **Mr. Bhavesh P. Mistry** and **Mr. Aakash M. Dhokia**. Both of the partner is having engineering background as a Mechanical Engineer. So company journey started with manufacturing of high quality packaging machine at competitive rates with excellent performance. Company maintain good services after sales and get excellent clints too in india. We achieved the mile stone of supplying the packaging machine.

Company supplied all types of packaging machines to ANMOL INDUSTIRES like ON EDGE PACKAGING MACHINE, SECONDARY PACK and KOSHAMBH MULTITRADE PVT LTD like TIKI PACK and SECONDARY PACK, ROOPNAGAR FOODS PRODUCTS, OKAY POLITECH PVT LTD ETC.....

We make the packaging machine as well as conveyor systems for many products like all types of biscuits ,rusk , chocolates, wafer biscuit, cream biscuit, soaps, noodles. We supplied our packaging machines in all over india.

We also having Design and Development department where we Design and also develop machines as per customer requirement and delivers the best quality to the customer.

ABP BESTPACK SYSTEMS is located at india's one of the most well known area Makarpura G.I.D.C industrial Estate, Gujarat, Vadodara having its own plot with 5000 sq. ft of large area with modern amenities of machine shop and assembly shop with 4 to 10 machine manufacturing per month.

We works with our dedicated departments like purchase, accounts, stores , quality control, Design and development, sales & service, dispatch. These departments helps to manufacturing the best quality machines.

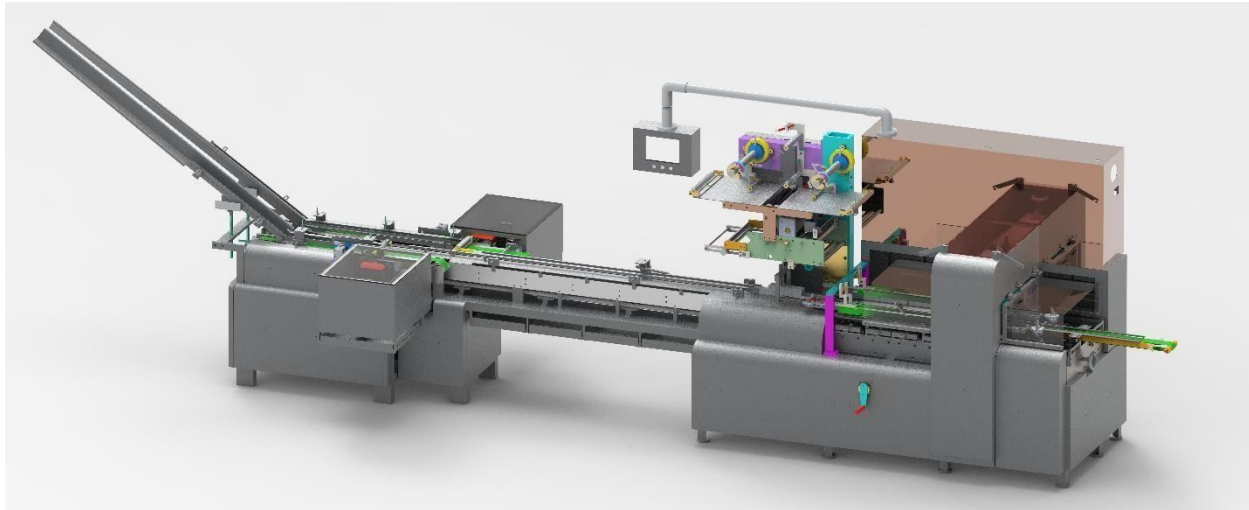
**Our Motto: We serve the society and nation through  
Customer satisfaction and good quality**



# ON EDGE PACKAGING MACHINE

5-Axis Electronic – 13,70,000/-

with 2 line Auto Feeder – 14,98,500/-



## MODEL – ON EDGE PACKAGING MACHINE

DIMENSIONS FOR GENERAL ARRANGEMENT				
MODEL	Length	Height	Width	Approx Weight
ON EDGE	14 FT	6 FT	4 FT	1500kg

TECHNICAL DATA	
Maximum product Length/ Dia	60 mm
Minimum product Length	20 mm
Maximum Width of the Product	60 mm
Minimum Width of the Product	25 mm
Max/Min Stack Length	210mm/ 38mm
Maximum speed	250 PPM

ELECTRICAL DATA	
Power 3 phase	440V with neutral 3 K.W
Main Motor	2 H.P, 3 Phase, 1440 RPM
Frequency Drive	Input            Output 440V 2 H.P      3 Phase        3 Phase
Heater	110V 300 watt for Jaw 110V 500 watt for Disc heater
Transformer	30 amp
Power consumption	415V AC- 3KW

WRAPPER MATERIAL	
Maximum width of the packaging material	326 mm
Minimum Width of the packaging material	150 mm
Maximum Reel dia	325 mm

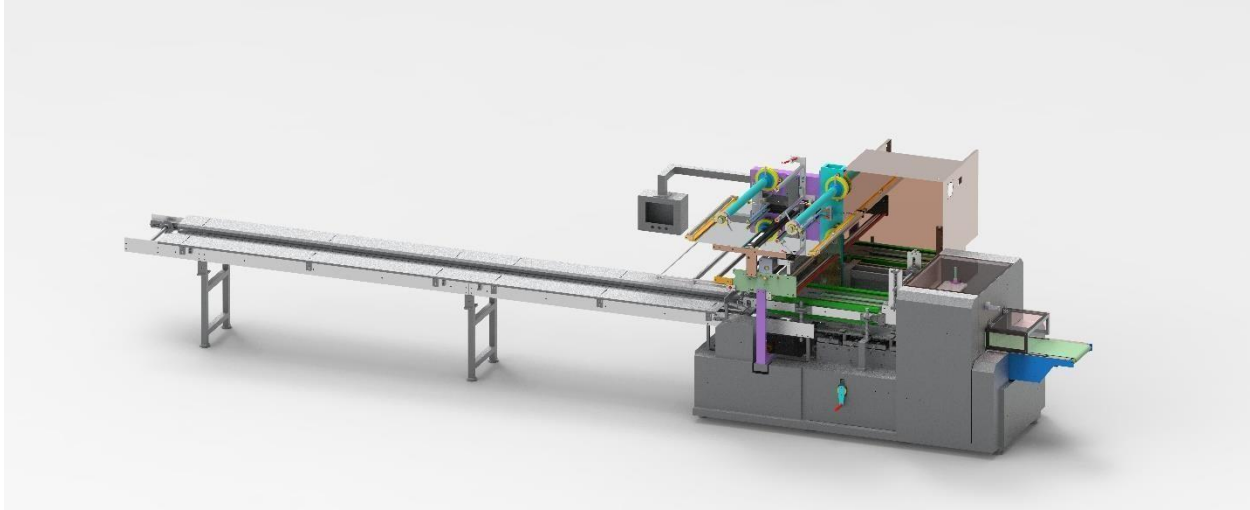


**APPLICATION :** THIS MODEL OF PACKAGING MACHINE IS APPLICABLE FOR PACKAGING OF NACKED BISCUIT ON EDGE PACK STYLE SO THIS MACHINE APPLICABLE TO PACK PARLE-G, BOURBON AND ALL KINDS OF BISCUIT PRODUCTS.

# SECONDARY PACK MACHINE



Basic Machine with 3 meter Infeed- 7,49,000/-



## MODEL- SECONDARY PACK MACHINE

DIMENSION FR GENERAL ARRANGEMTNE				
MODEL	Length	Height	Width	Approx Weight
SECONDARY PACK	16 FT	6.5 FT	4.5 FT	2000 KG

TECHNICAL DATA	
Max/Min Stack Length	120mm/ 30 mm
Maximum speed (Depending upon the product)	70 PPM

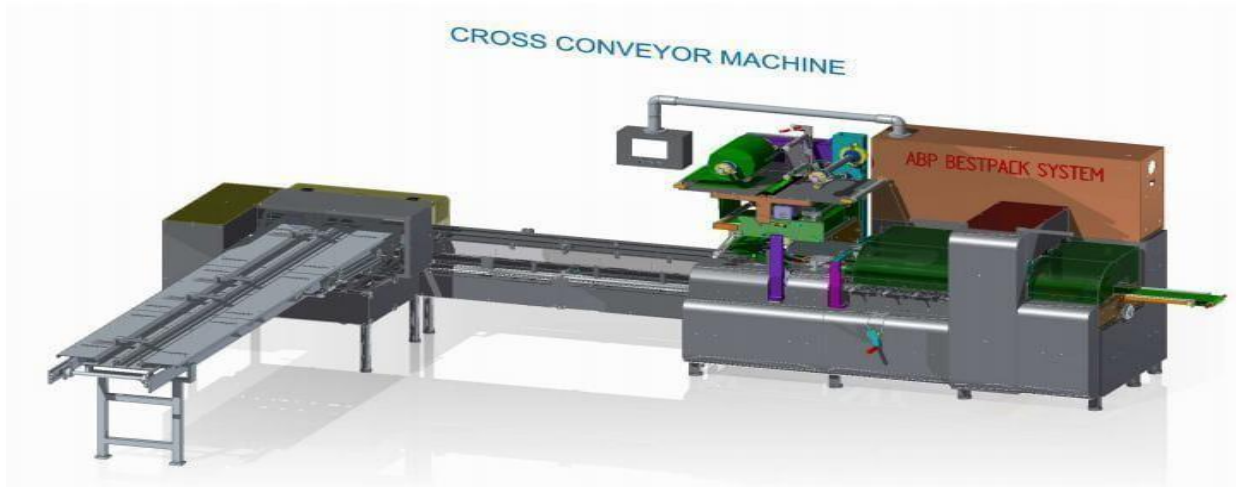
ELECTRICAL DATA	
Power 3 phase	440V with neutral 3 K.W
Main Motor	2 H.P, 3 Phase, 1440 RPM
Frequency Drive	Input            Output 440V 2 H.P      3 Phase        3 Phase
Heater	200 Watt for Jaw 250 Watt for Disc Heater
Transformer	30 amp
Power consumption	415V 4KW

WRAPPER MATERIAL	
Maximum width of the packaging material	860 mm
Minimum Width of the packaging material	150 mm
Maximum Reel dia	200 mm



**APPLICATION :** THIS MODEL OF PACKAGING MACHINE IS APPLICABLE FOR PACK BISCUIT IN ROWS LIKE BOURBON ETC.





DIMENSION FR GENERAL ARRANGEMTNE				
MODEL	Length	Height	Width	Approx Weight
ON EDGE WITH CROSS CONVEYOR	15 FT	6.5 FT	4.5 FT	3000 KG

TECHNICAL DATA	
Maximum product Length/ Dia	60 mm
Minimum product Length	20 mm
Maximum Width of the Product	60 mm
Minimum Width of the Product	25 mm
Max/Min Stack Length	210mm/ 38mm
Maximum speed (Depending upon the product)	250 PPM

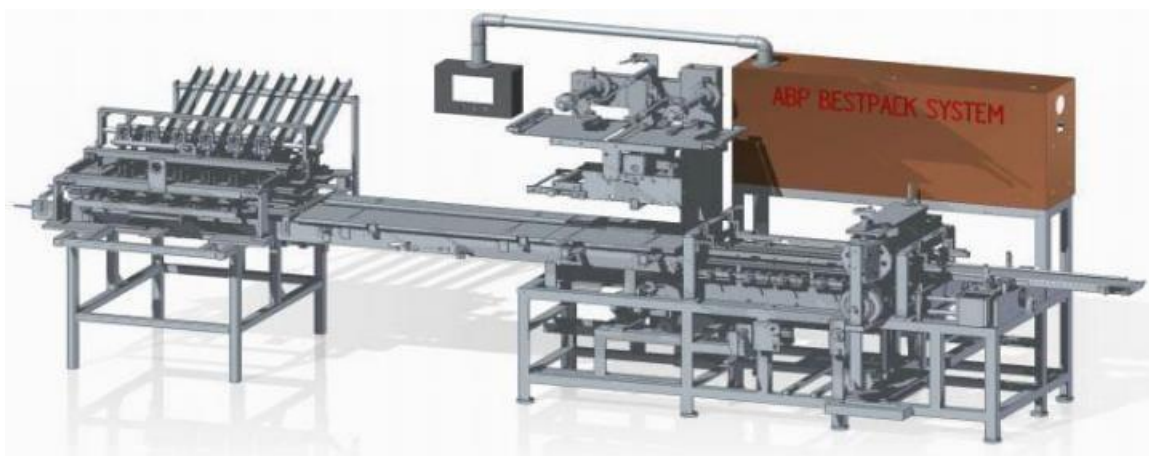
ELECTRICAL DATA	
Power 3 phase	440V with neutral 3 K.W
Main Motor	2 H.P, 3 Phase, 1440 RPM
Frequency Drive	Input            Output
440V 2 H.P	3 Phase        3 Phase
Heater	110V    300 watt for Jaw
	110V    550 watt for Disc heater
Transformer	30 amp
Power consumption	415V AC- 5 KW

WRAPPER MATERIAL	
Maximum width of the packaging material	326 mm
Minimum Width of the packaging material	150 mm
Maximum Reel dia	325 mm



**APPLICATION :** THIS MODEL OF PACKAGING MACHINE IS APPLICBLE FOR PACKAGING OF BISCUIT IN CROSS PACK STYLE SO THIS MACHINE IS APPLICABLE FOR PACKAGING GLUCOSE , KARCKJACK, BOURBON ETC.

# CROSS PACK WITH 6 LANE AUTOFEEDER- 14,90,000/-



MODEL: CROSS PACK WITH AUTOFEEDER

DIMENSION FOR GENERAL ARRANGEMENT				
MODEL	Length	Height	Width	Approx Weight
CROSS PACK WITH 6 LANE AUTOFEEDER	17.5 FT	6.5 FT	4.5 FT	1700 KG

TECHNICAL DATA	
Maximum product Length/ Dia	500 mm
Minimum product Length	200 mm
Maximum Width of the Product	120 mm
Minimum Width of the Product	90 mm
Max/Min Stack Length	120mm/ 30 mm
Maximum speed (Depending upon the product)	80 PPM

ELECTRICAL DATA	
Power 3 phase	440V with neutral 3 K.W
Main Motor	2 H.P, 3 Phase, 1440 RPM
Frequency Drive	Input            Output 440V 2 H.P      3 Phase        3 Phase
Heater	110V      300 watt for Jaw
	110V      550 watt for Disc heater
Transformer	30 amp
Power consumption	415V 4KW

WRAPPER MATERIAL	
Maximum width of the packaging material	500 mm
Minimum Width of the packaging material	150 mm
Maximum Reel dia	350 mm
Heat sealable	BOPP



**APPLICATION :** THIS MACHINE IS ONLY APPLICABLE TO PACK PARLE- G GLUCOSE BISCUIT.





# TIKKI PACK MACHINE

7,00,000/-



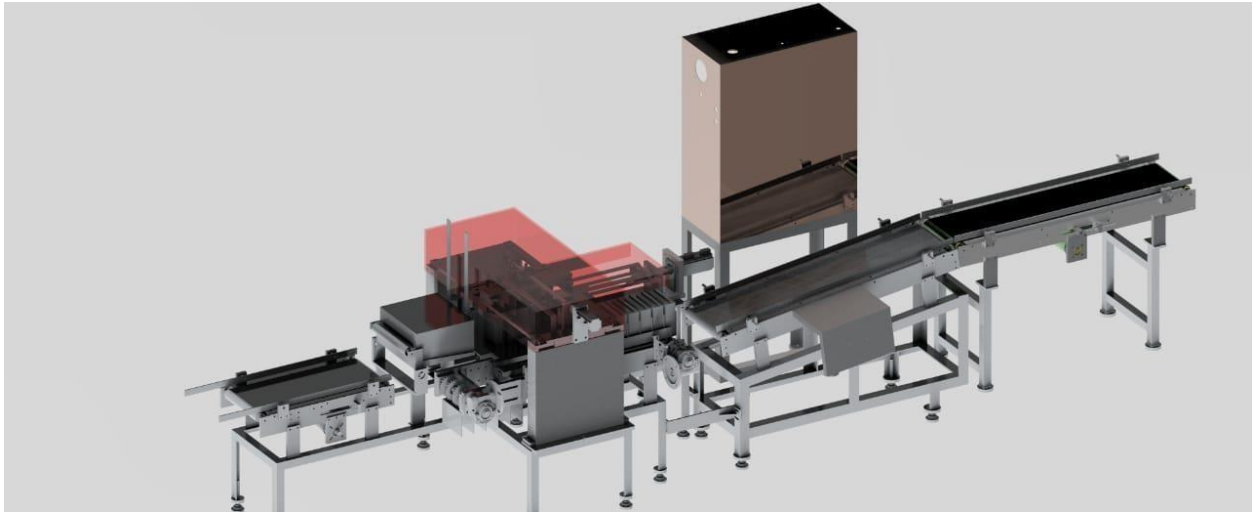
MODEL : TIKKI PACK MACHINE

DIMENSION FOR GENERAL ARRANGEMENT				
MODEL	Length	Height	Width	Approx Weight
TIKKI PACK	12 FT	6.5 FT	4.5 FT	1200 KG

TECHNICAL DATA	
Maximum product Length/ Dia	60 mm
Minimum product Length	20 mm
Maximum Width of the Product	60 mm
Minimum Width of the Product	25 mm
Max/Min Stack Length	25mm/ 110 mm
Maximum speed (Depending upon the product)	230 PPM

ELECTRICAL DATA	
Power 3 phase	440V with neutral 3 K.W
Main Motor	2 H.P, 3 Phase, 1440 RPM
Frequency Drive 440V 2 H.P	Input            Output 3 Phase        3 Phase
Heater            110V	300 watt for Jaw
110V	550 watt for Disc heater
Transformer	30 amp
Power consumption	415V AC- 3KW

WRAPPER MATERIAL	
Maximum width of the packaging material	326 mm
Minimum Width of the packaging material	150 mm
Maximum Reel dia	325 mm



MODEL : CARTON PACKAGING MACHINE

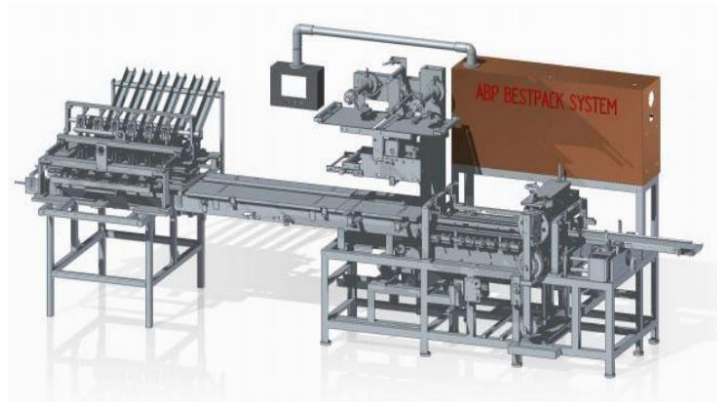
DIMNSIONS FOR GENERAL ARRANGEMENT				
MODEL	LENGHT	WIDTH	HEIGHT	APPROX WEIGHT
CARTON PACKAGING	15.5 FT	4.5 FT	5.5 FT	1000 KG

**TECHNICAL SPECIFICATION :**

- 1) EQUIPED WITH FULLY AUTOMATIC MACHINE.
- 2) SERVO BASED MODEL.
- 3) BELT CONVEYOR PROVIDE PRE PACK TO BOX PACKAGING.
- 4) MAXIMUM CAN FILL 7 TO 8 CARTON PER MINIUTE.

# FAMILY PACK WITH 6 LANE AUTO FEEDER

14,90,000/-



MODEL : FAMILY PACK WITH AUTOFEEDER

DIMENSION FR GENERAL ARRANGEMTNE				
MODEL	Length	Height	Width	Approx Weight
FAMILY PACK WITH AUTO FEEDER	16FT	6.5 FT	4.5 FT	2000 KG

TECHNICAL DATA	
Maximum product Length/ Dia	500 mm
Minimum product Length	200 mm
Maximum Width of the Product	120 mm
Minimum Width of the Product	90 mm
Max/Min Stack Length	120mm/ 30 mm
Maximum speed (Depending upon the product)	70 PPM

ELECTRICAL DATA	
Power 3 phase	440V with neutral 3 K.W
Main Motor	2 H.P, 3 Phase, 1440 RPM
Frequency Drive	Input            Output 440V 2 H.P      3 Phase        3 Phase
Heater	200 Watt for Jaw 250 Watt for Disc Heater
Transformer	30 amp
Power consumption	415V 6KW

WRAPPER MATERIAL	
Maximum width of the packaging material	450 mm
Minimum Width of the packaging material	150 mm
Maximum Reel dia	350 mm
Heat sealable	BOPP



**APPLICATION :** THIS MACHINE IS APPLICABLE FOR PACK MULTILINE ( 2,3,4 OR 5) LINES OF BISCUIT LIKE GLUCOSE, OREO , MONACO ETC

### **Features For Standard Model**

- 1) No manual setting for print mark.
- 2) Auto setting from PLC to print mark.
- 3) Minimum wastage.
- 4) Speed, stack, printed and normal wrapper , output can be display on HMI.
- 5) Gearbox used of bonvario / bonfiglioli.
- 6) All contact parts are made of stainless steel.
- 7) Two separate wrapper mounting system to reduce wrapper change time.
- 8) All chains are diamond make.
- 9) High temperature bearing used in sealing rollers for their longer life.
- 10) HMI used of SCHINDER, DELTA, INOVANCE etc.

### **Features For Advance and Special Editions Model**

- 1) All features of standard model.
- 2) Auto splicing system is available. Due to auto splicing without operator standby wrapper will joint automatically to running wrapper after end of first wrapper.
- 3) Auto splicing position can be set individually of left and right hand side rollers.
- 4) Temperature controller given in the PLC with auto tuning. Due to this fine accuracy of temperature is possible.
- 5) Fully servo based machines also available.
- 6) At the time of changeover selection of single pile / two pile, three pile given in HMI.





ABP BESTPACK

**INNOVATION** FOR PACKAGING

**WITH PLC**

**& FULLY** SERVO SYSTEM

## ABP BESTPACK SYSTEMS

FACTORY & OFF : 748/3, GIDC IND ESTATE MAKARPURA, VADODARA, 39014, DIST. VADODARA, STATE. GUJARAT, INDIA

MOBILE NO:- 9726268689 / 8128990176

EMAIL [mktg.abpbestpack@gmail.com](mailto:mktg.abpbestpack@gmail.com) [sales.abpbestpack@gmail.com](mailto:sales.abpbestpack@gmail.com)

Website : [www.abpbestpack.com](http://www.abpbestpack.com)